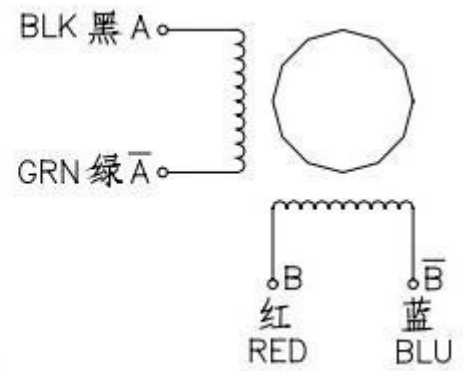
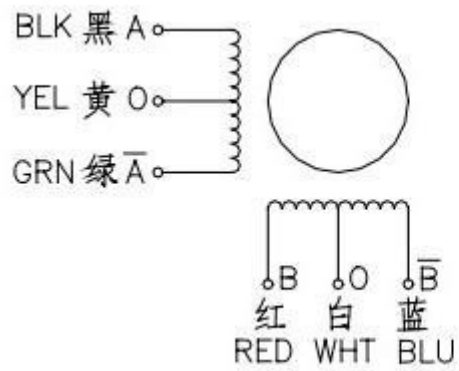


Wiring Diagram:



There are two ways to wire, the front one is high turning speed, and the later one is high holding torque.