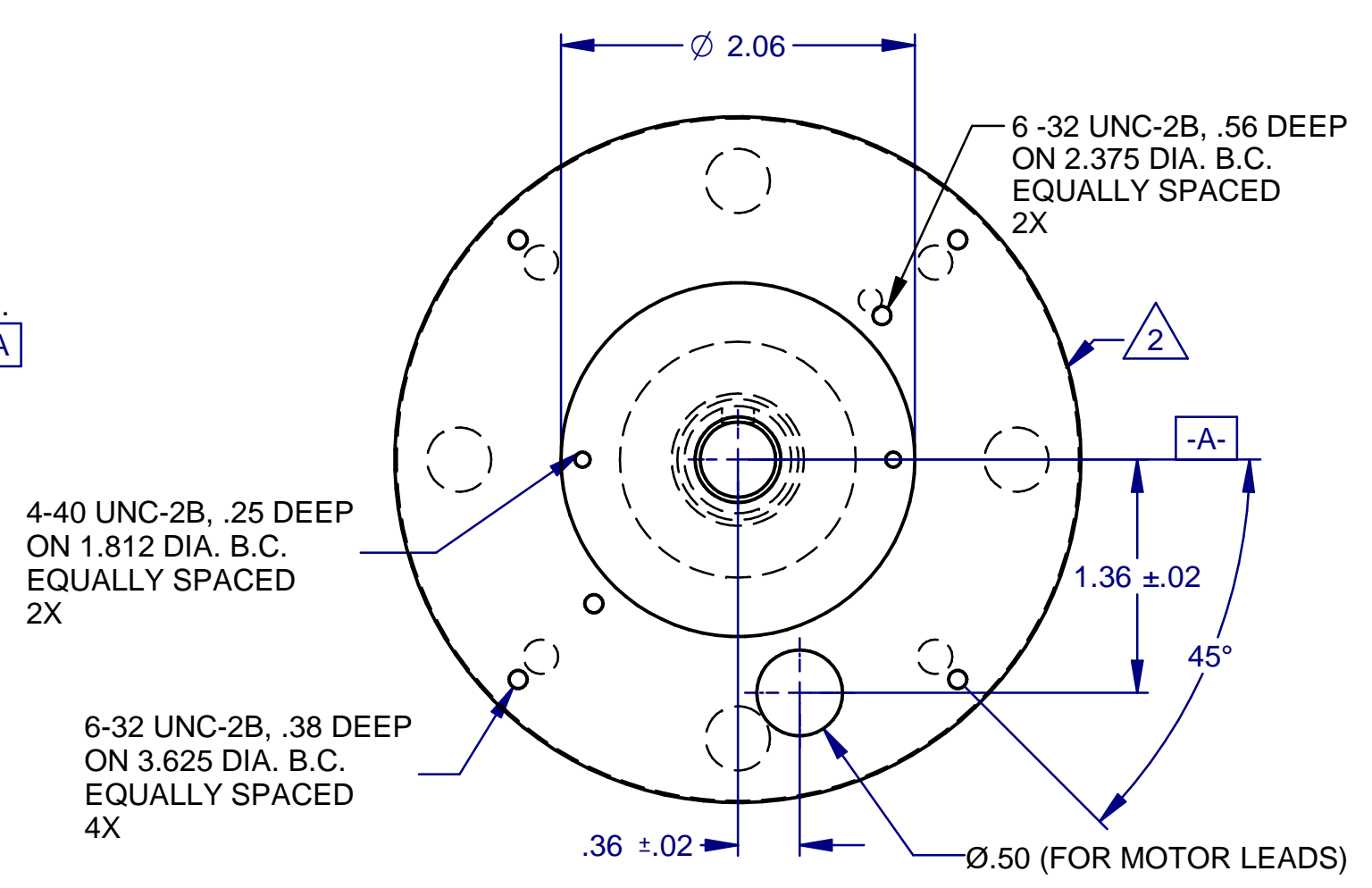
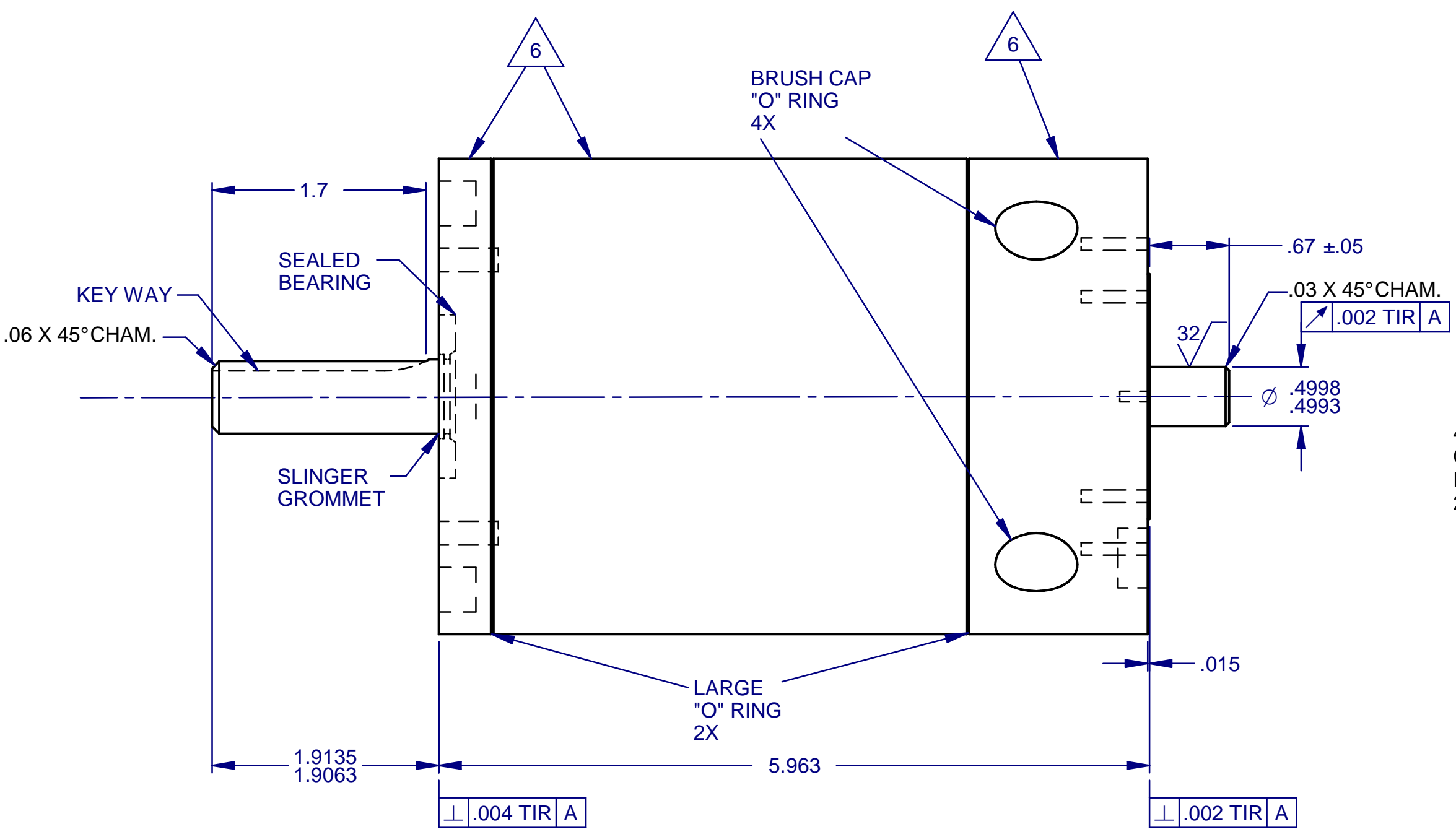
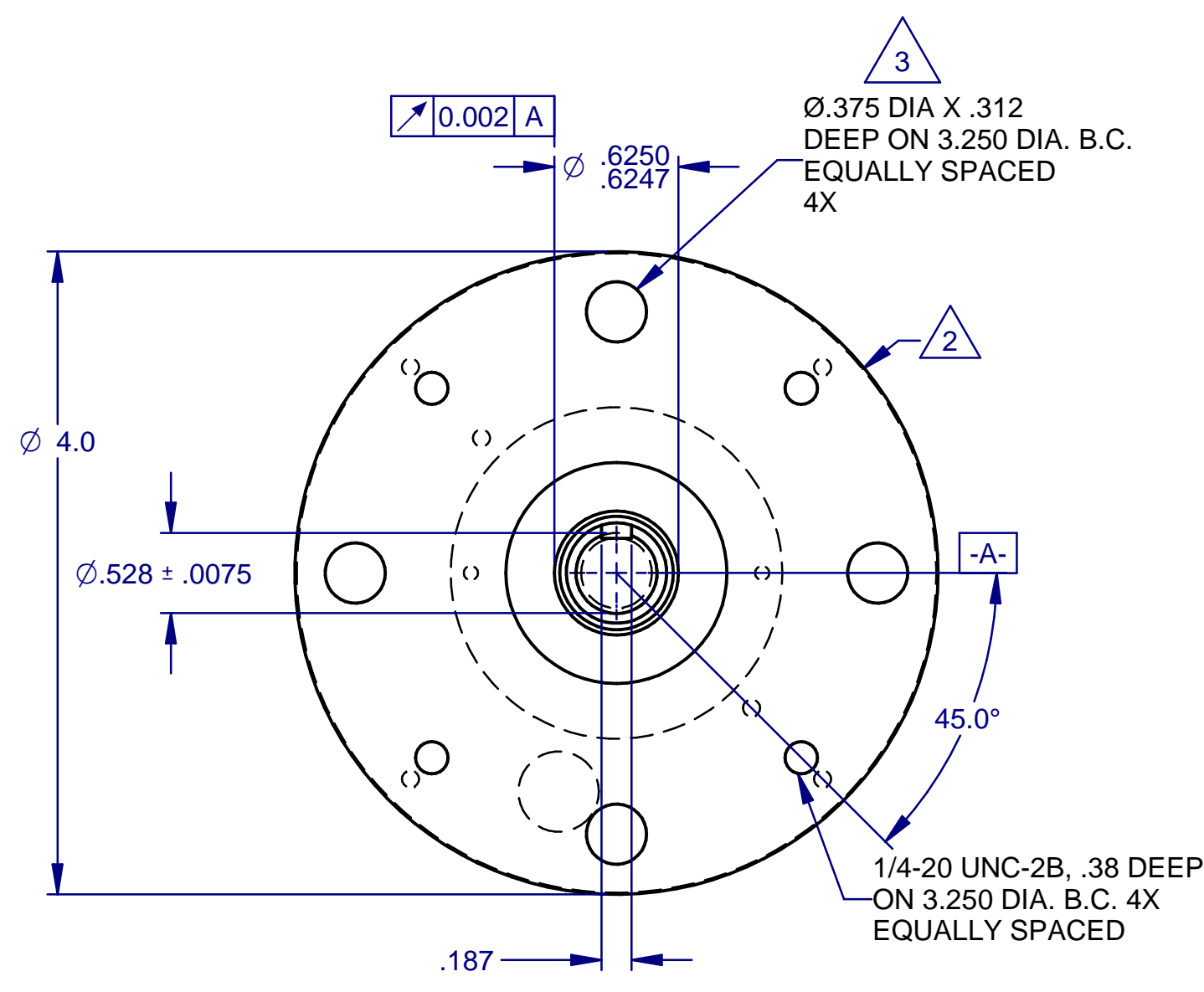
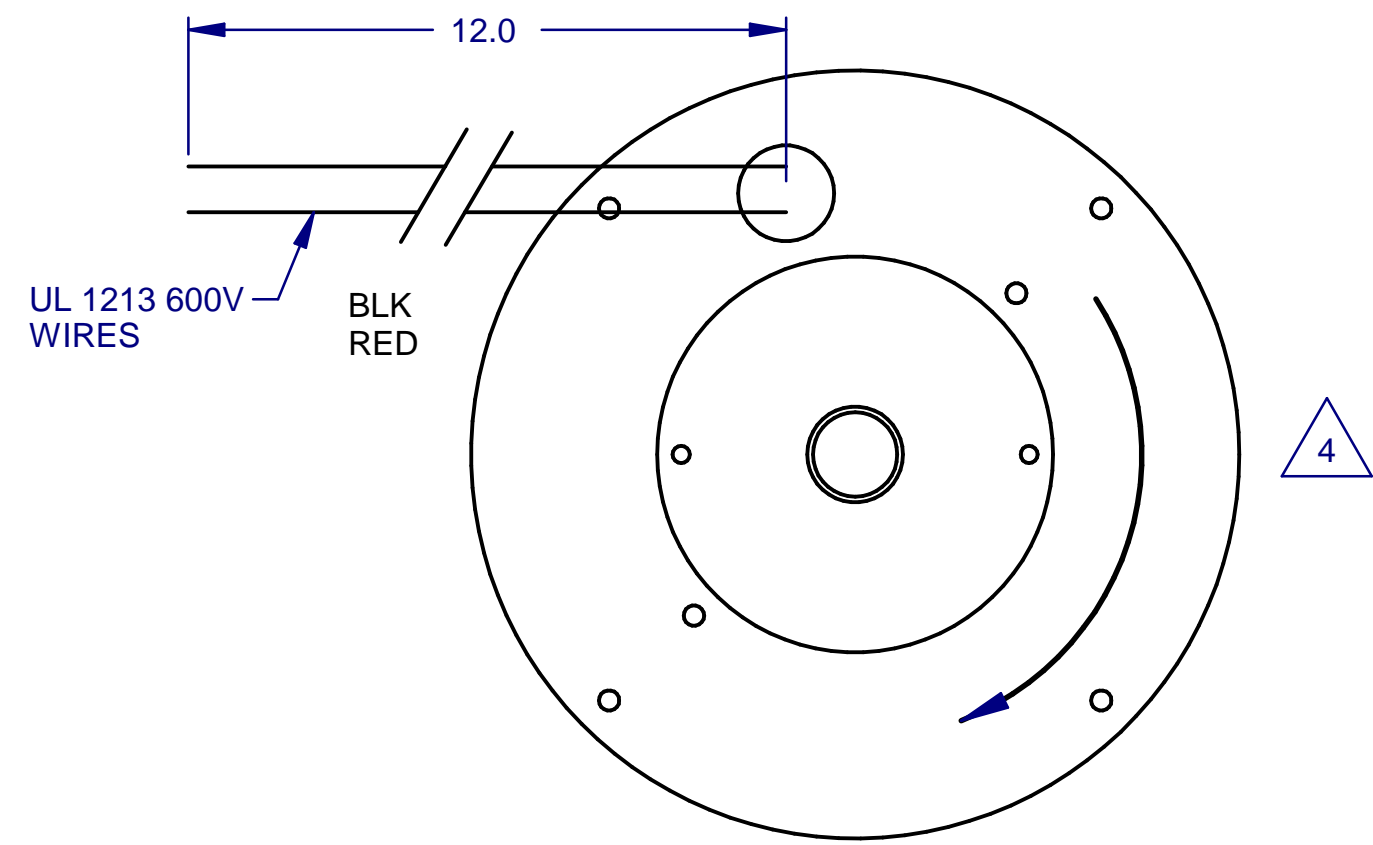


NOTICE: THIS DESIGN WAS ORIGINATED BY AND EMBODIES A CONFIDENTIAL PROPRIETARY DESIGN OWNED BY SOUTHWESTERN INDUSTRIES. IT IS DISCLOSED IN CONFIDENCE FOR A SPECIFIC PURPOSE AND THE RECIPIENT HEREOF AGREES NOT TO MAKE ANY REPRODUCTION, DISCLOSURE OR OTHER USE OF THIS INFORMATION WITHOUT THE WRITTEN CONSENT OF SOUTHWESTERN INDUSTRIES.

REVISIONS			
REV	DESCRIPTION	ECN	DATE
H	REVISED & REDRAWN, SOURCE WAS: INDIANA GENERAL.	14064	9/12/13
			APPRV
			BG

5 EN444-01 MOTOR		
MOTOR SPECIFICATIONS	VALUE	DESCRIPTION
RATED VOLTAGE	60VDC	(VOLTS DC) THIS IS THE VOLTAGE AT WHICH THE MOTOR HAS BEEN RATED.
RATED HORSE POWER	0.33 HP	(HORSE POWER) THIS IS THE HORSE POWER AT WHICH THE MOTOR IS RATED GIVEN THE VOLTAGE.
RATED CURRENT	6.25 amp	(amp) THIS THE CURRENT AT WHICH THE MOTOR IS RATED AT.
RATED TORQUE	250 oz-in	(lbs-inch) THE RATED TORQUE OF THE MOTOR PER RATED CURRENT AND VOLTAGE.
RATED RPM	1350 rpm	(rpm) THIS IS THE rpm PRODUCED BY THE MOTOR AT THE RATED VOLTAGE UNDER NO LOAD.
WINDING RESISTANCE (Ra)	1.6 Ohms	(mOhms) - THIS IS THE AMOUNT OF ELECTRICAL RESISTANCE OF THE MOTOR WINDINGS.
MOTOR INDUCTANCE (La)	6 mH	(milli Henry) THIS IS THE AMOUNT OF INDUCTANCE OF THE MOTOR WINDINGS.
TORQUE CONSTANT (Kt)	46 oz-inch/amp	(lbs-inch/amp) THIS IS THE AMOUNT OF TORQUE THAT THE MOTOR CAN PRODUCE PER AMP AT THE RATED VOLTAGE
SPEED CONSTANT (Ke)	34 V/Krpm	(VOLTAGE PER KILO (THOUSAND) rpm) THIS IS THE AMOUNT OF DC VOLTS REQUIRED FOR EVERY THOUSAND rpm.
ARMATURE INERTIA (Jm)	0.19 oz-inch-s ²	(lbs-inch-s ²) THIS IS THE AMOUNT OF TORQUE REQUIRED TO ACCELERATE THE MOTOR ROTOR.
THERMAL RESISTANCE (Ot)		(Deg C / Watt) THIS IS THE AMOUNT OF DEGREE RISE OF TEMPERATURE PER EVERY WATT CONSUMED BY THE MOTOR
NUMBER OF BRUSHES	4	THIS IS THE NUMBER OF BRUSHES ON THE MOTOR
MOTOR WEIGHT	9.65 lbs	(lbs) THIS IS THE WEIGHT OF THE ACTUAL MOTOR



ENDPLAY ARMATURE SHAFT EXTENSION RELATIVE TO REAR SURFACE: .001 MAX IN, .010 MAX OUT

SPECIFICATION CONTROL DRAWING

IN CASE OF CONFLICT BETWEEN VENDOR SPECIFICATIONS FOR THIS PART AND SPECIFICATIONS OF THIS DRAWING, THE LATTER CONTROLS.

IDENTIFICATION OF THE "SUGGESTED SOURCE(S) OF SUPPLY" HEREON IS NOT TO BE CONSTRUED AS A GUARANTEE OF PRESENT OR CONTINUED AVAILABILITY AS A SOURCE OF SUPPLY FOR THE ITEM(S) DESCRIBED ON THE DRAWING.

NOTES: UNLESS OTHERWISE SPECIFIED.

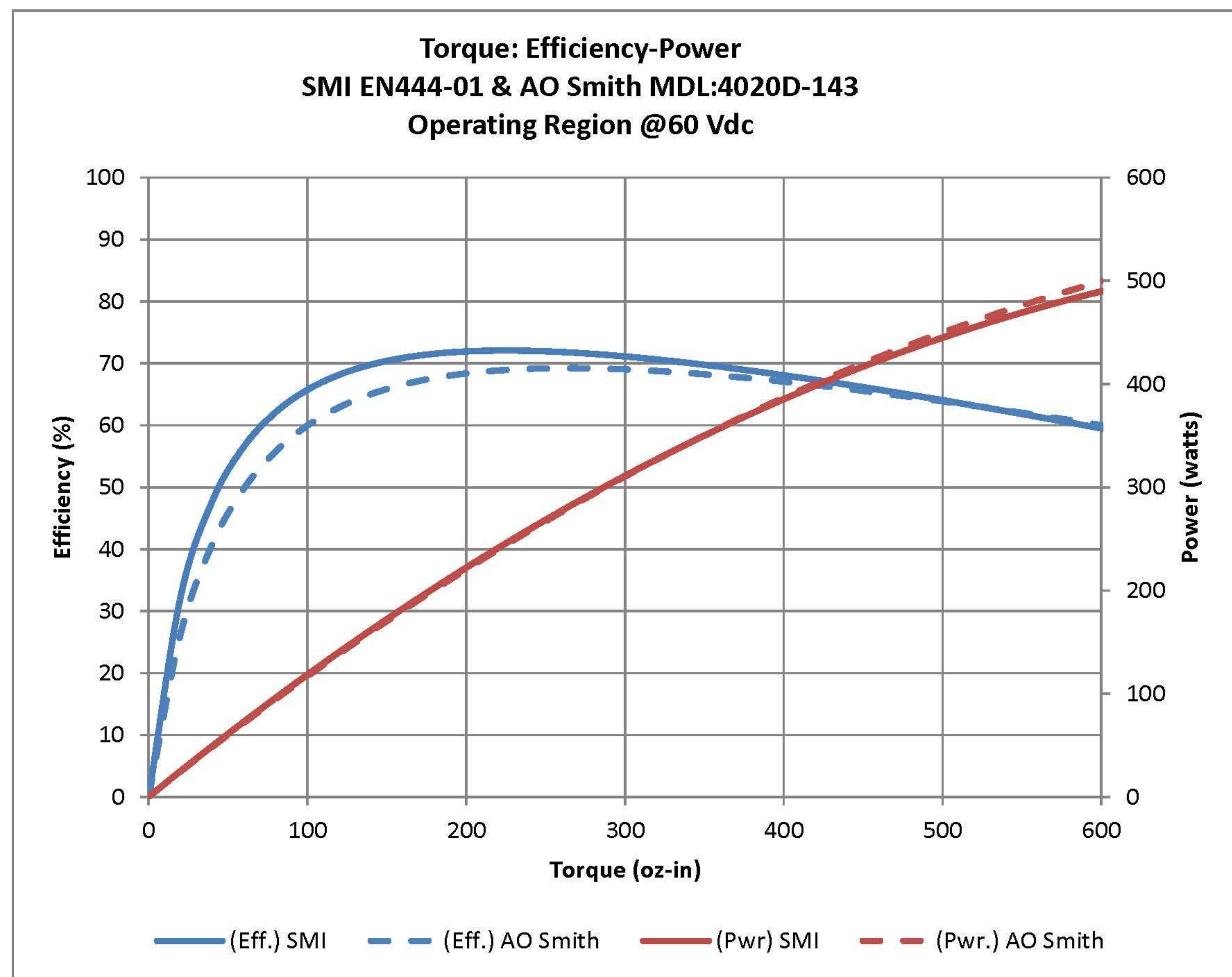
- CHANGES BY VENDOR(S) AFFECTING THESE REQUIREMENTS MUST BE APPROVED BY ENGINEERING.
- FRONT & REAR PLATE ARE ALIGNED AS SHOWN. (B2, C7)
- OPTIONAL HOLE SIZE Ø.425, HOLE USED FOR MOUNTING TEXT FIXTURE. (C7)
- ROTATION OF MOTOR TO BE CW WHEN RED WIRE IS CONNECTED TO PLUS VOLTAGE AND BLACK WIRE IS CONNECTED TO REFERENCE VOLTAGE. (D3)
- ELECTRICAL SPECS AND MECHANICAL DIMENSIONS ARE PER SPECIALTY SPECS. (D6)
- PAINT ENTIRE OD BLACK. (A2, C4, C5)
- FOR MORE INFORMATION SEE EE00098.

SWI P/N	SUPPLIER P/N	SUPPLIER	MFG P/N	MFG	DESCRIPTION
14969		EN444-01	SPECIALTY MOTORS		MOTOR SPEC-EN 444-01
SUGGESTED SOURCE (S) OF SUPPLY					
DIMENSIONS ARE IN INCHES DEC. X = ±.1, XX = ±.01, XXX = ±.005 ANGLES: XX = ±0°30' FRACTIONS = ±1/8 FINISH = 125 RMS REMOVE ALL SHARP EDGES MASK ALL TAPPED HOLES DIMENSIONING PER ASME Y14.5		APPROVALS		DATE	SOUTHWESTERN INDUSTRIES, INC. 2615 HOMESTEAD PLACE RANCHO DOMINGUEZ, CA 90220-5610
MATERIAL		DRAWN BY		4/9/13	
FINISH		ENGINEER			
NEXT ASSY	USED ON	21006 (BLK OX)	THIRD ANGLE PROJECTION	SIZE	CODE IDENT. NO.
APPLICATION				D	06238
				SCALE:	DWG NO.
					14969
					REV
					H
					SHEET 1 OF 2

NOTICE: THIS DESIGN WAS ORIGINATED BY AND EMBODIES A CONFIDENTIAL PROPRIETARY DESIGN OWNED BY SOUTHWESTERN INDUSTRIES. IT IS DISCLOSED IN CONFIDENCE FOR A SPECIFIC PURPOSE AND THE RECIPIENT HEREOF AGREES NOT TO MAKE ANY REPRODUCTION, DISCLOSURE OR OTHER USE OF THIS INFORMATION WITHOUT THE WRITTEN CONSENT OF SOUTHWESTERN INDUSTRIES.

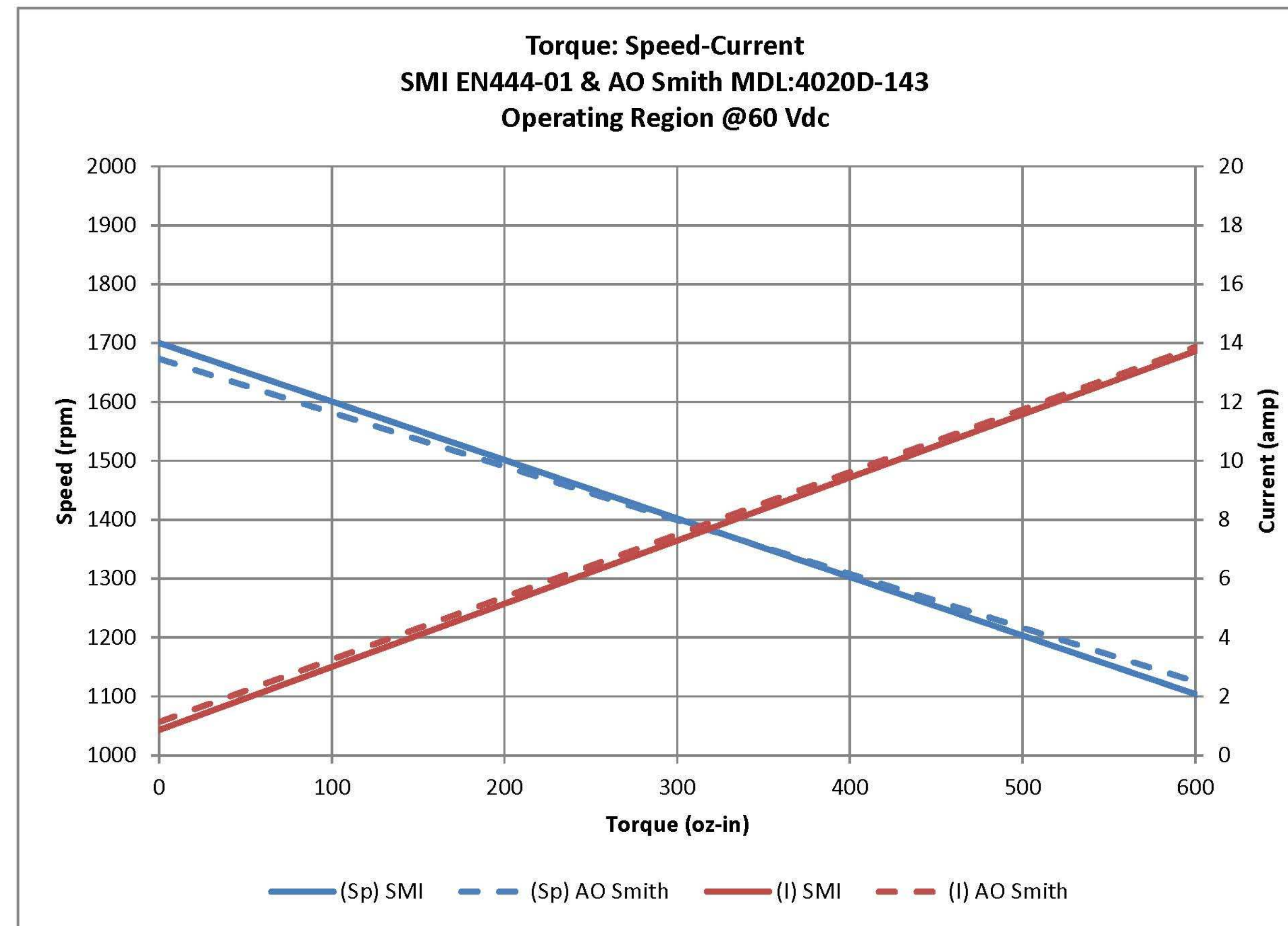
REVISIONS			
REV	DESCRIPTION	ECN	DATE
H	REVISED & REDRAWN, SOURCE WAS: INDIANA GENERAL.	14064	9/12/13
			APPRV
			BG

Preliminary Southwestern 1/15/2013



Prepared By:
Gary Schultze

Preliminary Southwestern 1/15/2013



Prepared By:
Gary Schultze

DIMENSIONS ARE IN INCHES DEC. X = ±.1, XX = ±.01, XXX = ±.005 ANGLES: XX = ±0°30' FRACTIONS = 1/8 FINISH = 125 RMS REMOVE ALL SHARP EDGES MASK ALL TAPPED HOLES DIMENSIONING PER ASME Y14.5		APPROVALS	DATE	SOUTHWESTERN INDUSTRIES, INC. 2615 HOMESTEAD PLACE RANCHO DOMINGUEZ, CA 90220-5610	
		DRAWN BY	Bob	4/9/13	TITLE
		ENGINEER	BG		MOTOR SPEC- EN 444-01
		ENGINEER			SIZE
		FE			D
					CODE IDENT. NO.
					06238
					DWG NO.
					14969
					REV
					H
					SCALE:
					-
					SHEET 2 OF 2