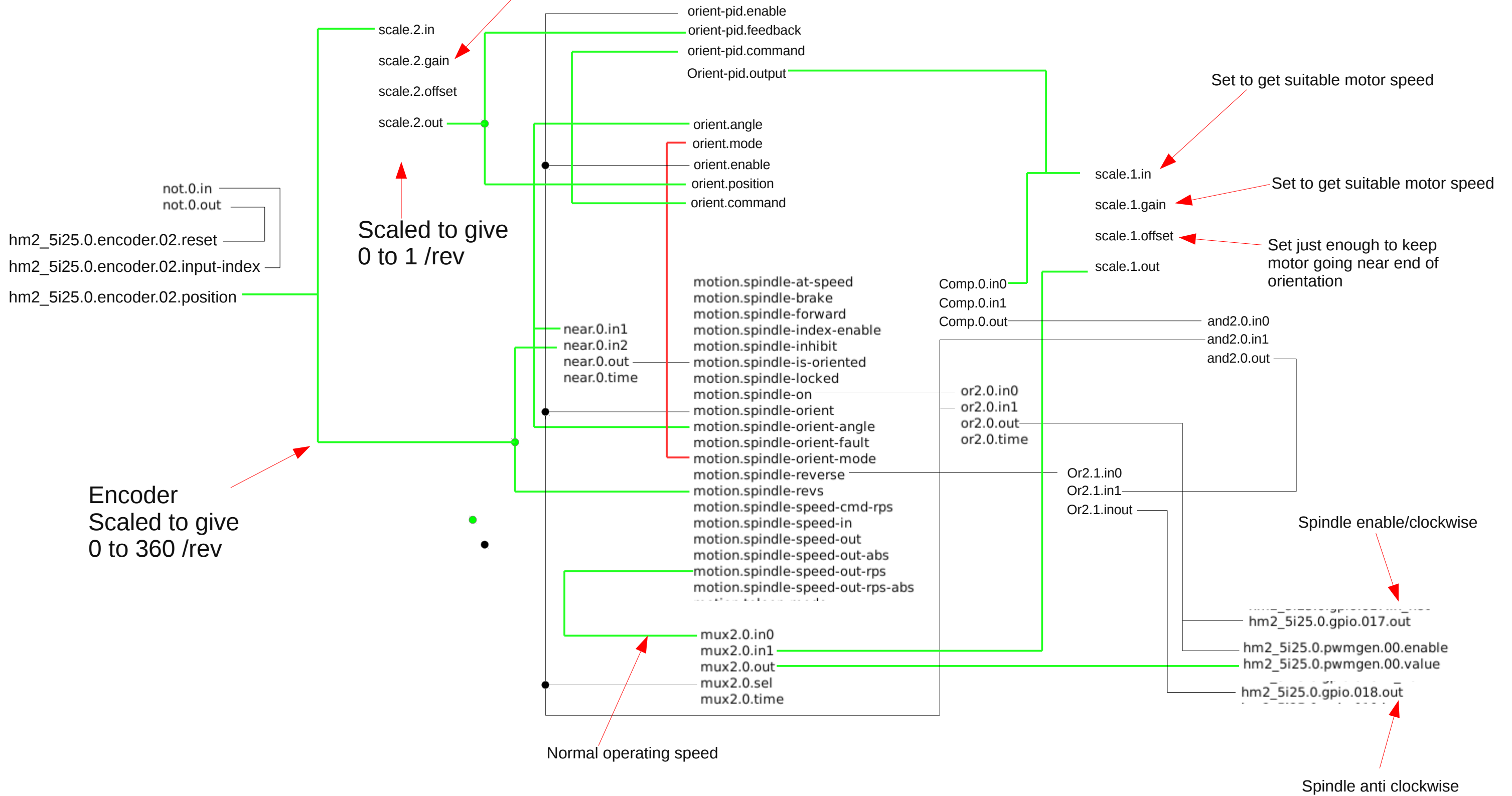


Set to 1/360



This set up will not work properly with Old Jaguar Cub inverter, as it will not go slow enough for spindle to stop near correct position. A newer drive may be ok. If the speed is set using the inverters own pot, the spindle will stop within two or three degrees. This would be fine for a 24/24 hole 'brake' disc/solenoid to lock spindle.