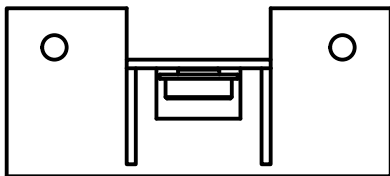
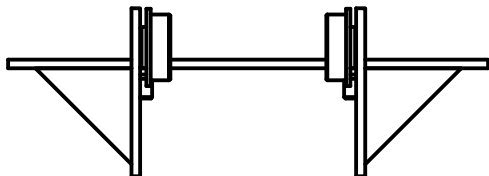


2

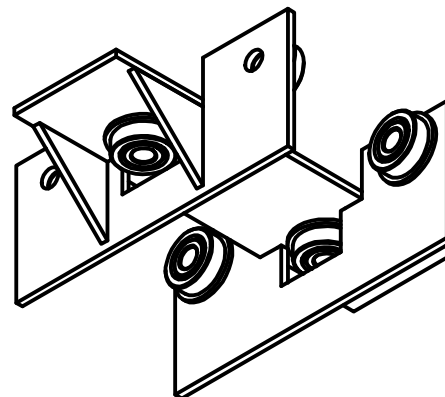
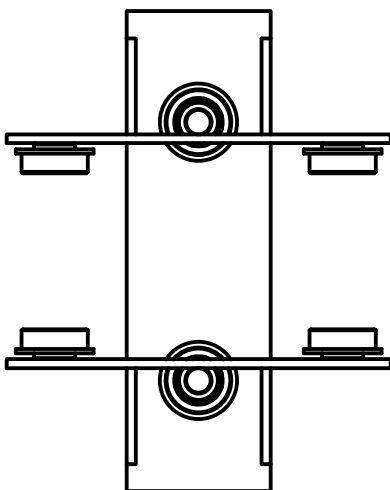
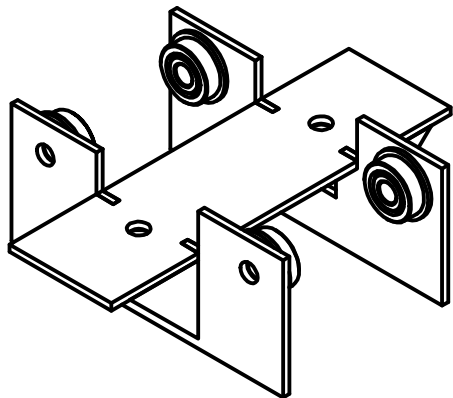


1



B

B



A

A

DRAWN Wyatt Ciomperlik	8/30/2016	TITLE		
CHECKED				
QA				
MFG				
APPROVED		SIZE A	DWG NO	REV
		SCALE 1 / 2	SHEET 1 OF 1	

2



1