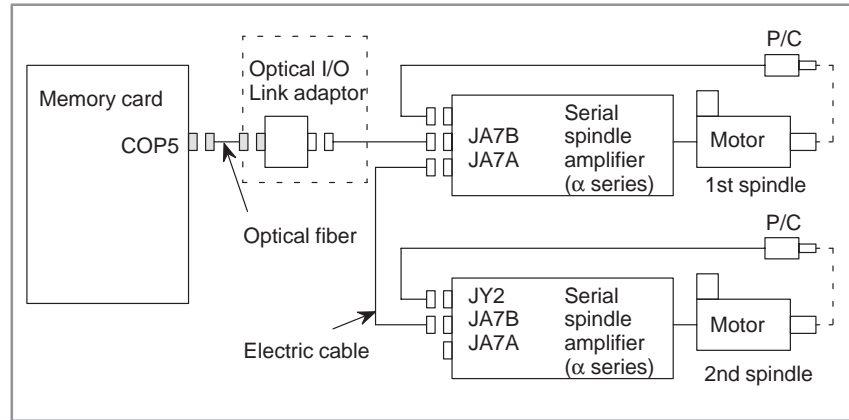


# 8

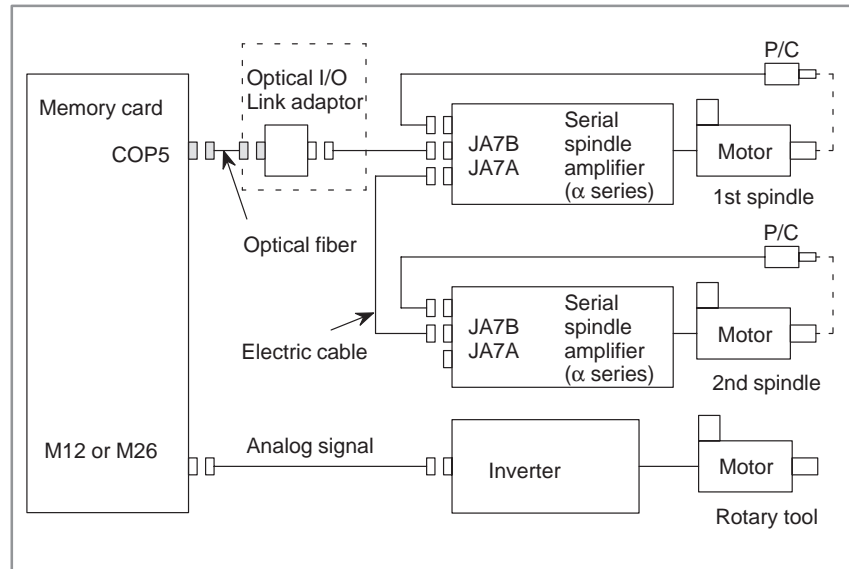
## CONNECTIONS FOR SPINDLE

### Serial spindle

The following three configurations of the spindle interface are available



### Serial spindle + Rotary tool



**NOTE**

Optical I/O Link adaptor in [ ] is required when serial spindle amplifier is α series.  
 In other cases it can be connected directly with optical fiber