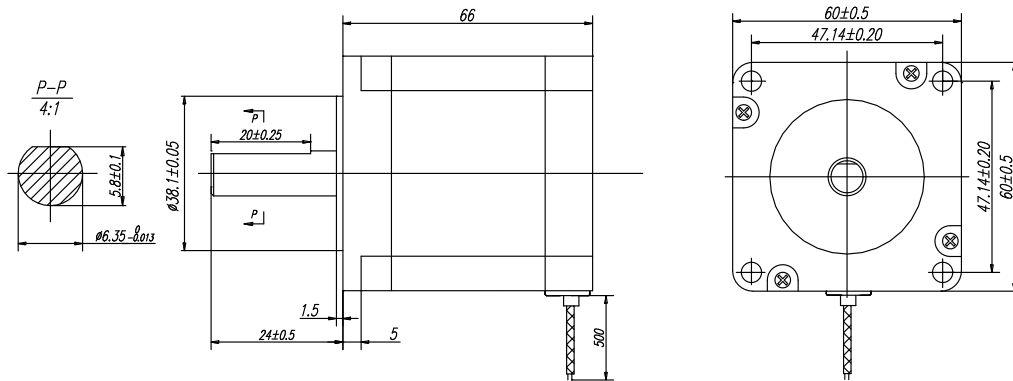


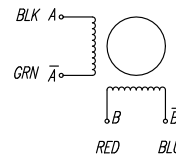
DIMENSIONS



SPECIFICATIONS unit=mm

PHASE	2	PHASE	COMMENT
STEP ANGLE	1.8±5%	°/STEP	
VOLTAGE	3.5	V	
CURRENT	3.5	A/PHASE	
RESISTANCE	1.0 ±10%	Ω/PHASE	
INDUCTANCE	3.0 ±20%	mH/PHASE	
HOLDING TORQUE	210	N.cm	
DETENT TORQUE		N.cm	
INSULATION CLASS	B		
LEAD STYLE	AWG22 UL1007		

COLORS OF LEAD WIRES BIPOLAR



60HS66DF1B

SPECIFICATION

TAG	PLACE	CHANGE	NAME	DATE
DESIGN		STD.		
CHECK		APPROVE		DESIGN MASS PLATE SCALE
PROC.				

NR PAGE: