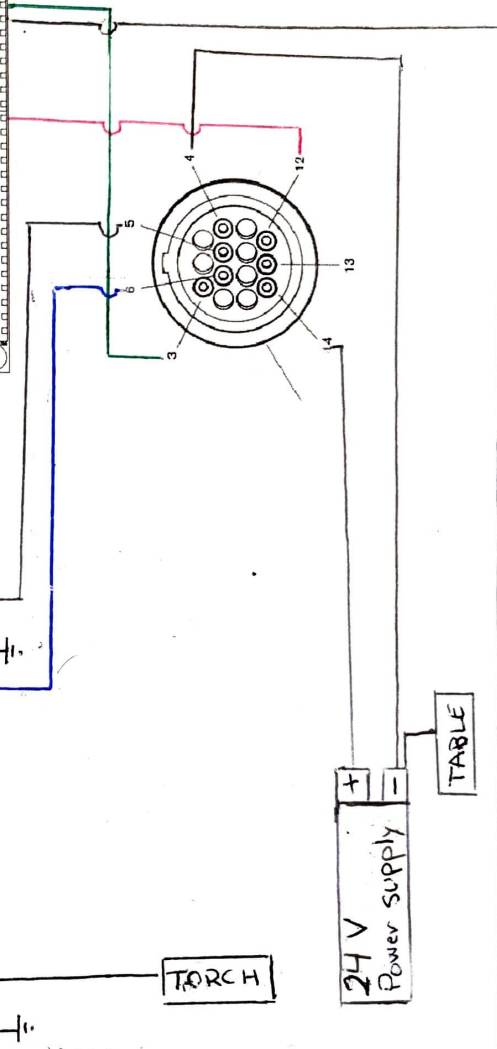
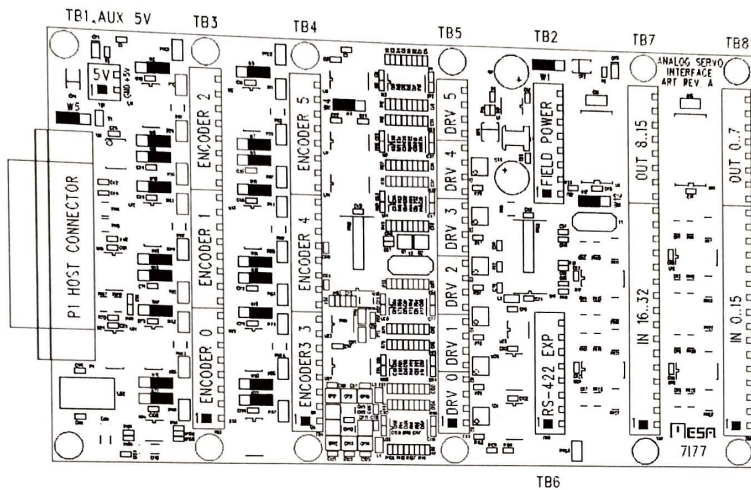
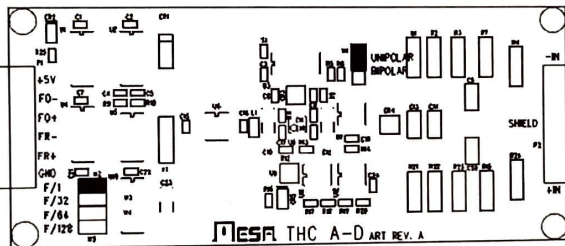
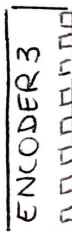


MESA 7177



THC

DIGITAL SECTION ISOLATION A-D SECTION INPUT DIVIDER



OHMIC SENSING

DIGITAL SECTION ISOLATION A-D SECTION INPUT DIVIDER

